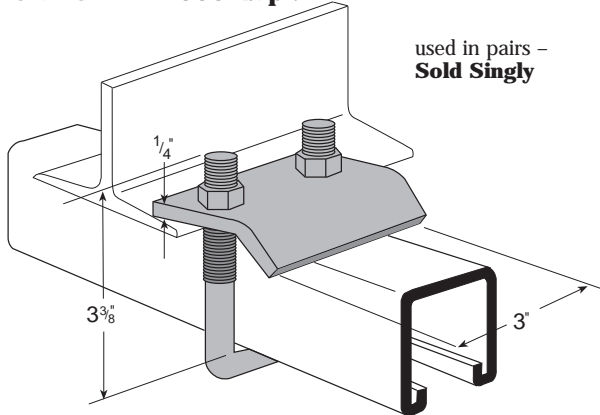
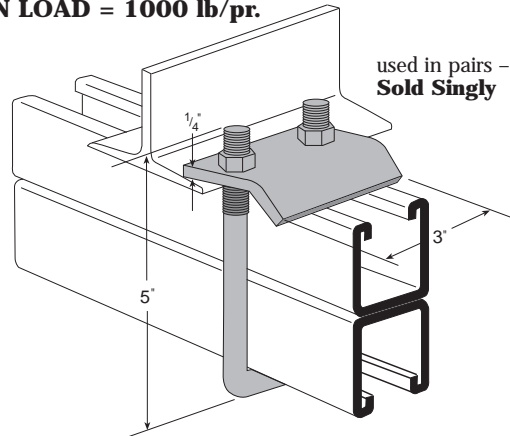


87#/Cpc
DESIGN LOAD = 1000 lb/pr.

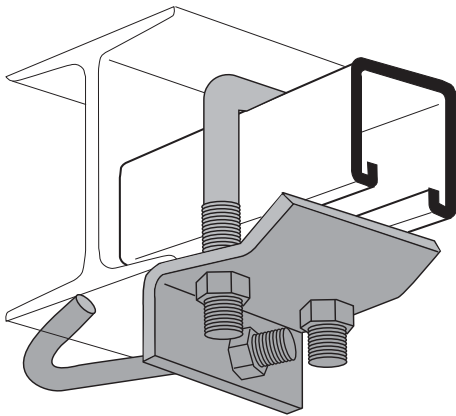


FS-5709
"U" BOLT BEAM CLAMP FOR FS-200

93#/Cpc
DESIGN LOAD = 1000 lb/pr.

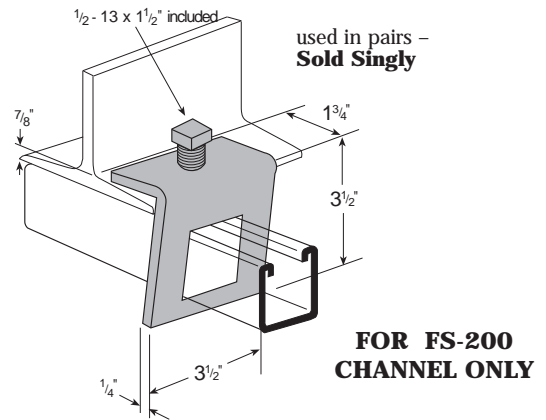


FS-5708
"U" BOLT BEAM CLAMP FOR FS-201



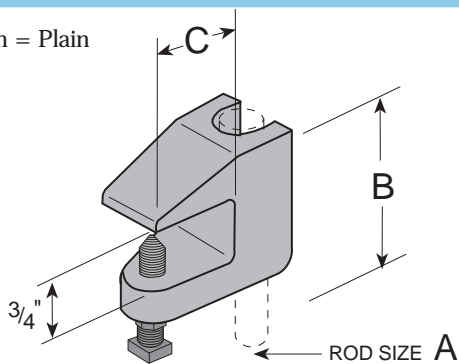
FS-5709-J6 130#/Cpc
FS-5709-J12 143#/Cpc
"U" BOLT BEAM CLAMP WITH J-HOOK

105#/Cpc
DESIGN LOAD = 900 lb/pr.



FS-5702
WINDOW BEAM CLAMP

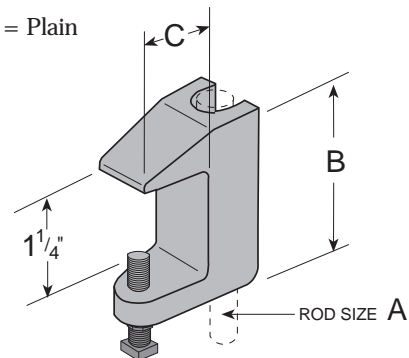
STD. Finish = Plain



Part No.	A	B	C	#/Cpc	Load
FS-5710-3/8	3/8"	1-1/2"	15/16"	34#	400#
FS-5710-1/2	1/2"	1-1/2"	15/16"	34#	500#

FS-5710
WEDGE C-CLAMP

STD. Finish = Plain



Part No.	A	B	C	#/Cpc	Load
FS-5711-3/8	3/8"	1-7/8"	15/16"	37#	400#
FS-5711-1/2	1/2"	1-7/8"	15/16"	37#	500#

FS-5711
WEDGE C-CLAMP

• Standard Fitting Finish = Electro-Galvanized (Plated), Unless Otherwise Noted •